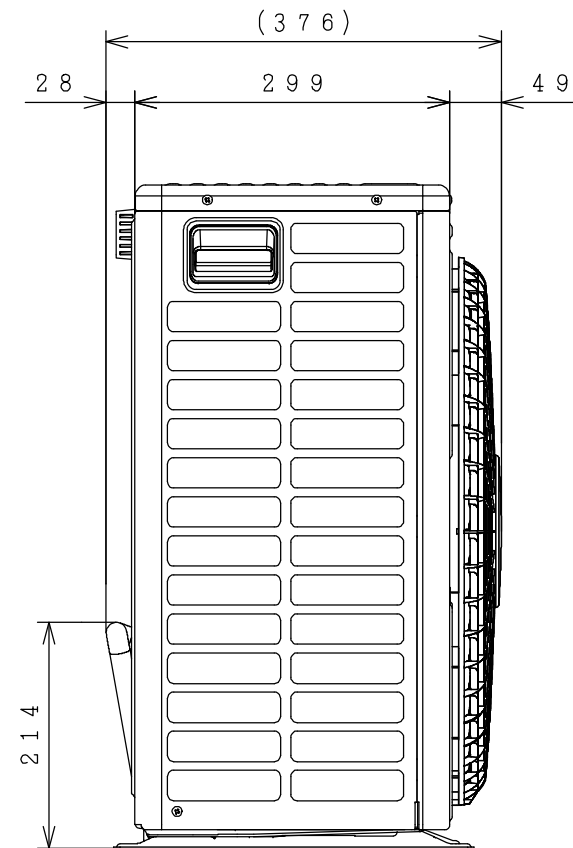
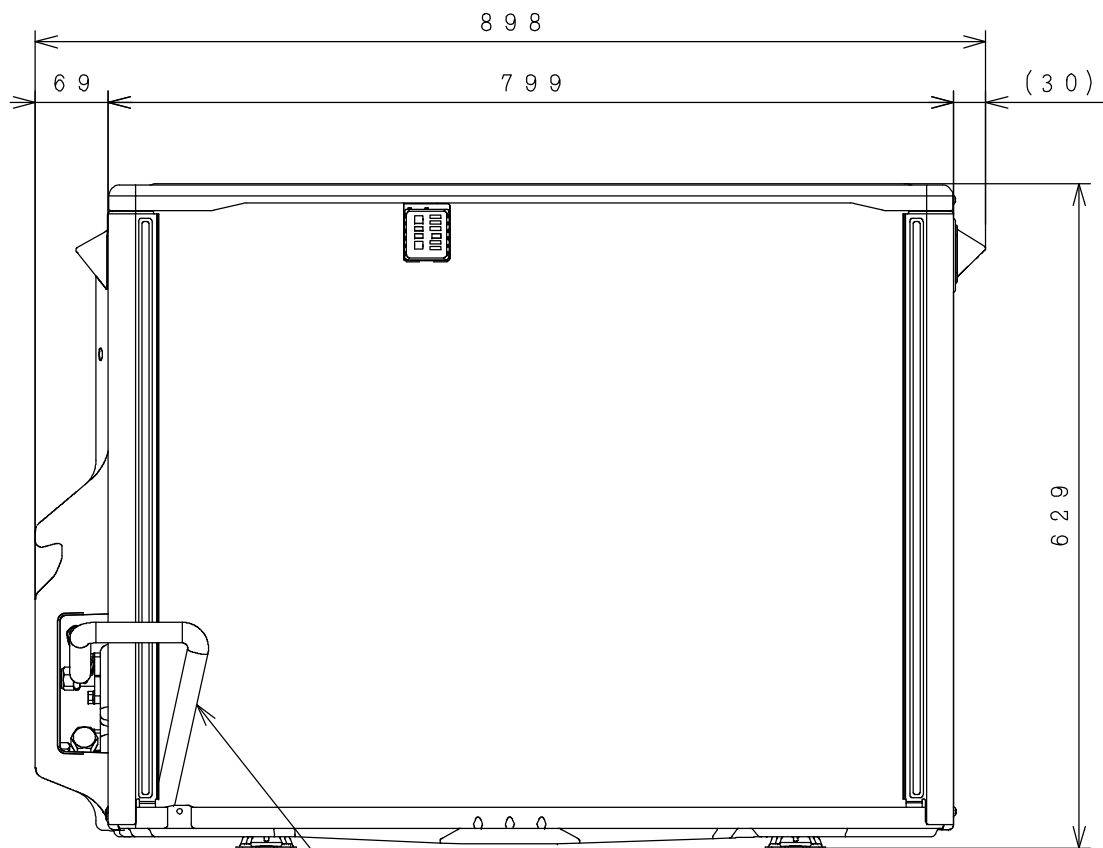
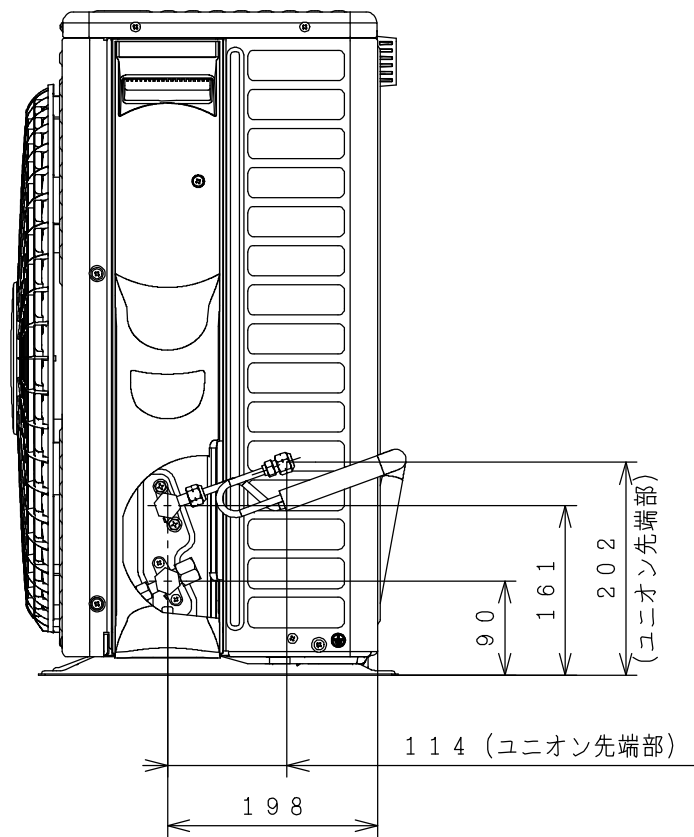
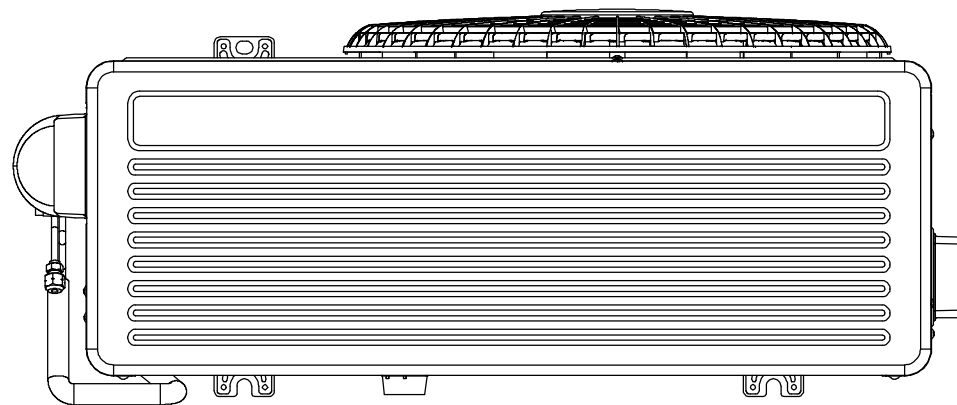


BB0047103



SIGNATURE		DATE	PROJECTION	SCALE	TITLE
DWN.	T. Fukuda	2014-10-02		NTS	RAC-Z40D2 500構造:寸法図
CHKD.	K. Yoshida	2014-10-02			
APPD.	H. Hanyu	2014-10-02			
Hitachi Appliances, Inc. Tokyo Japan					TOCHIGI DWG. No. 3YAA BB0047103

CAD

REGD.  
REGD.  
2014  
1002

