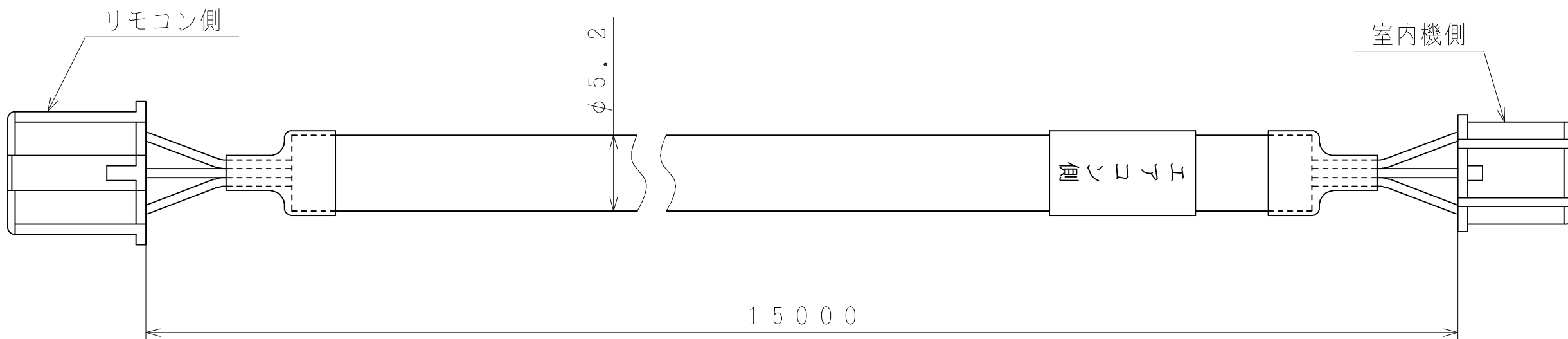


NN0007495



SIGNATURE		DATE	PROJECTION	SCALE	TITLE	REGD. REGD 2017 0803
DWN.	S. Iijima	2017-08-03		NTS	SP-WDC15 寸法図	
CHKD.	K. Kezuka	2017-08-03	Hitachi-Johnson Controls Air Conditioning, Inc.		TOCHIGI DWG. No. 3YAA NN0007495	
APPD.	K. Kezuka	2017-08-03				

This drawing is under license by Johnson Controls-Hitachi Air Conditioning Technology (Hong Kong) Limited

001