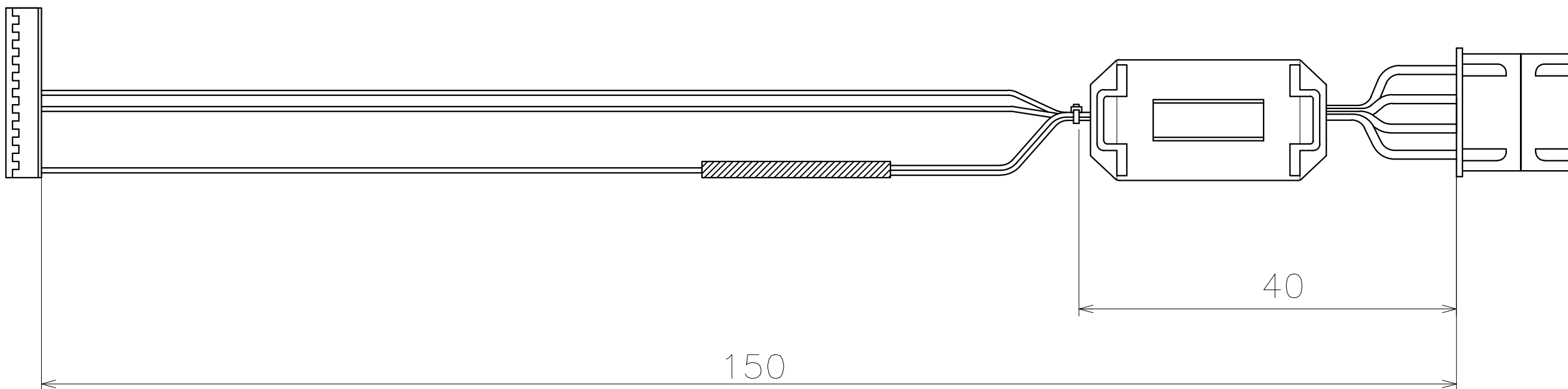


5690200NN

室内機側

別売品側



SIGNATURE		DATE	PROJECTION	SCALE	TITLE	CAD
DWN.	K.Kodaira	2025-04-08		NTS	SP-HAC1 寸法図	
CHKD.	M.Okabe	2025-04-14	Hitachi-Johnson Controls Air Conditioning, Inc.		TOCHIGI DWG. No.	REGD. REGD. 2025 0414
APPD.	H.Hashimoto	2025-04-14			3YAA NN0030695	

