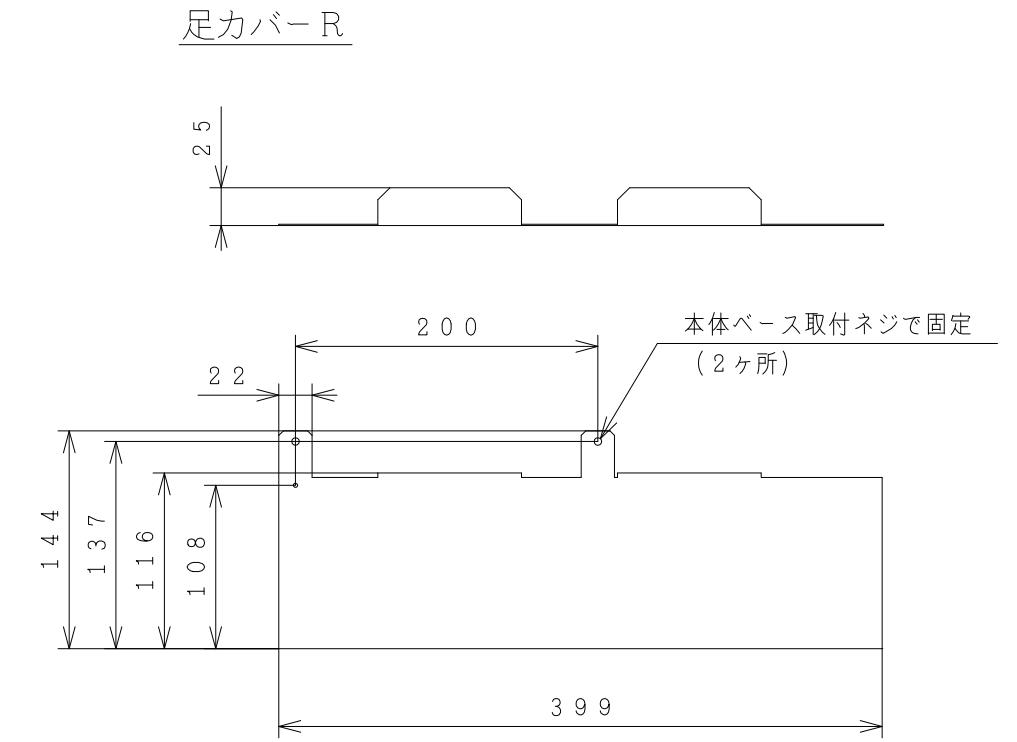
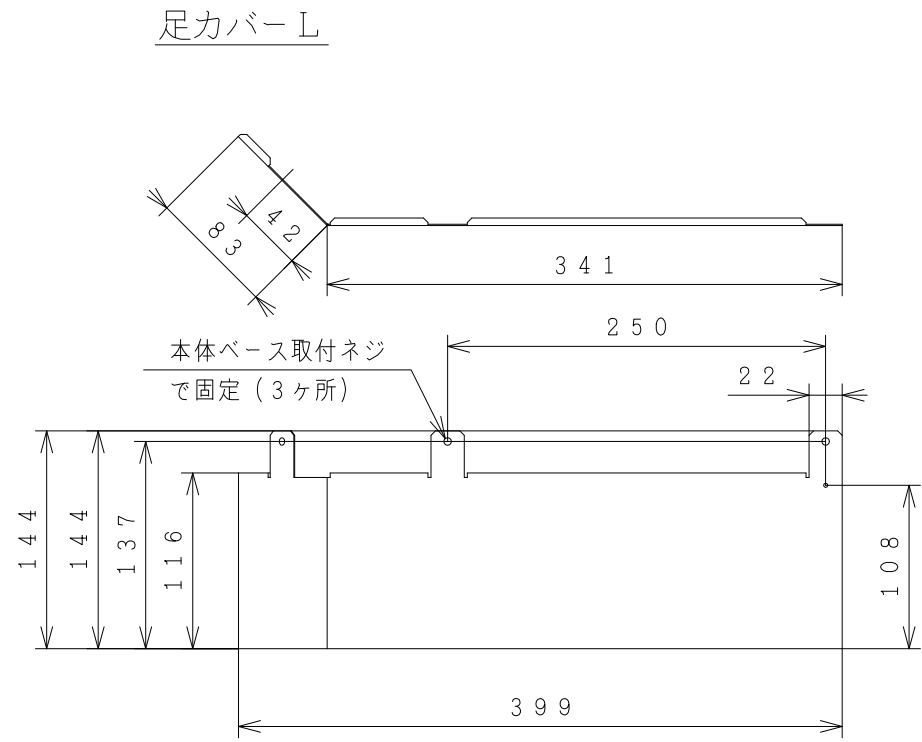
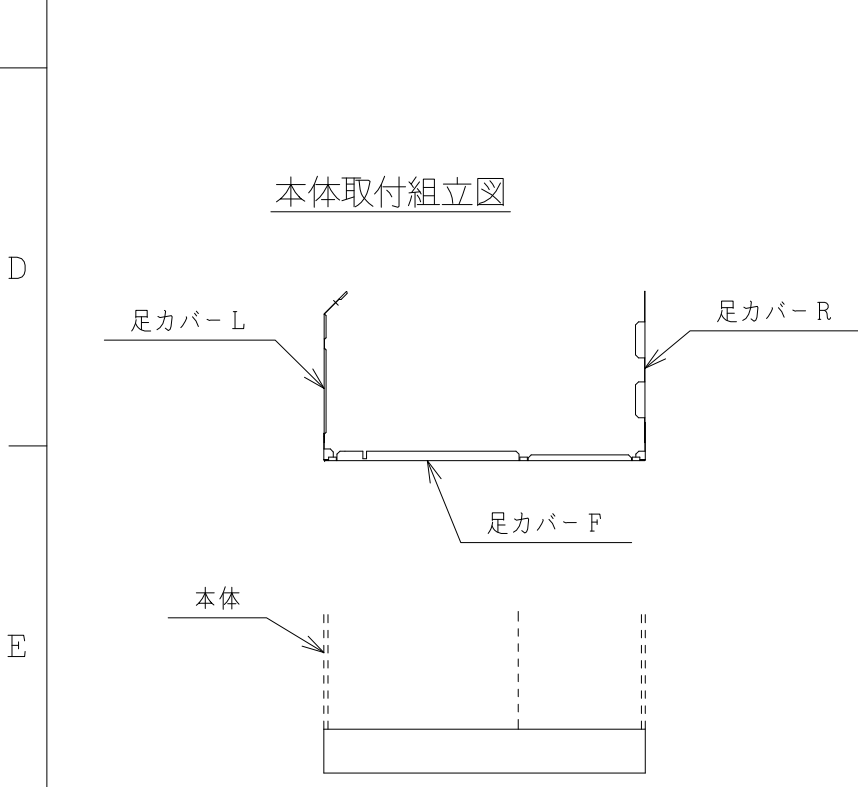
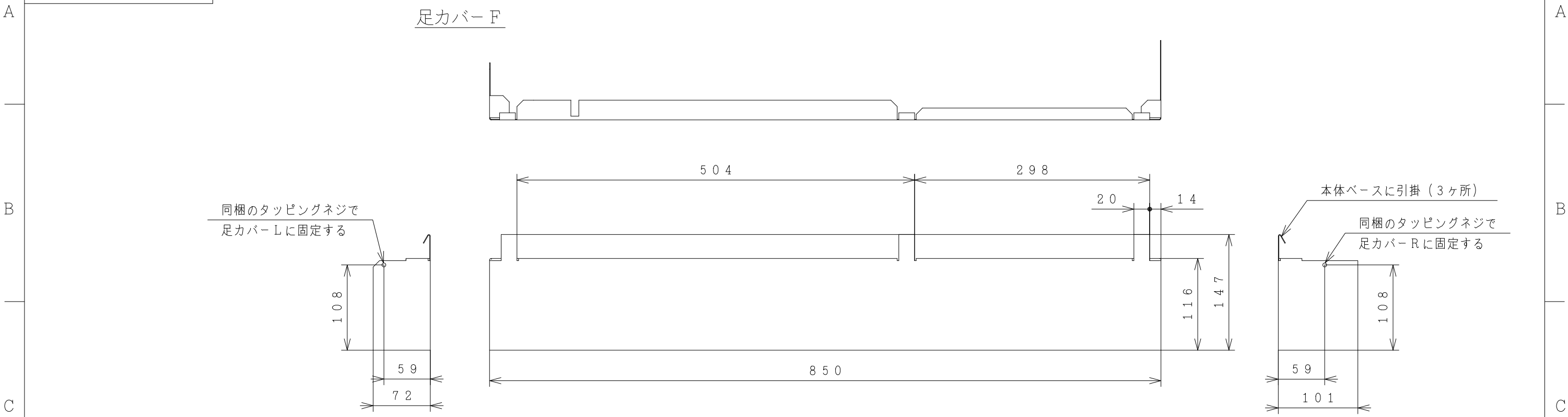
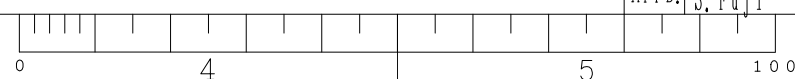


1 2 3 4 5 6 7 8

3YAAA4617



SIGNATURE		DATE	PROJECTION	SCALE	TITLE
DWN.	S. Katakiri	2003-07-01		NTS	RHKAK 構造：寸法図
CHKD.	S. Fuji	2003-07-01	Hitachi Global Life Solutions Inc. Tokyo Japan		TOCHIGI DWG. No. 3YAAA4617
APPD.	S. Fuji	2003-07-01			



GAD

REGD.
REGD
2003
1027

001