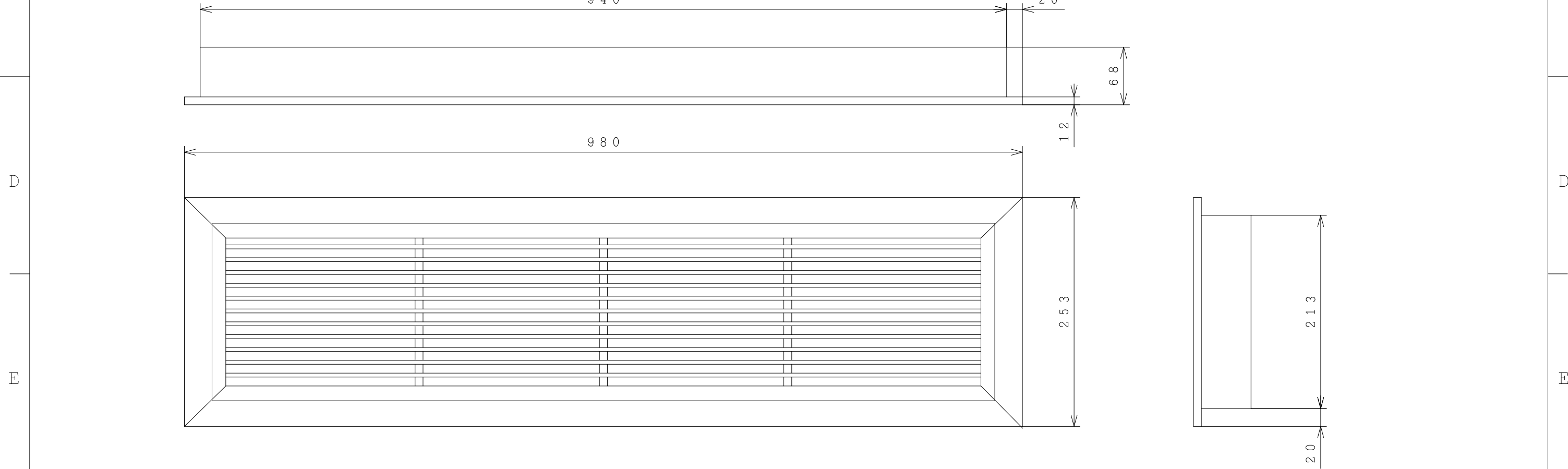
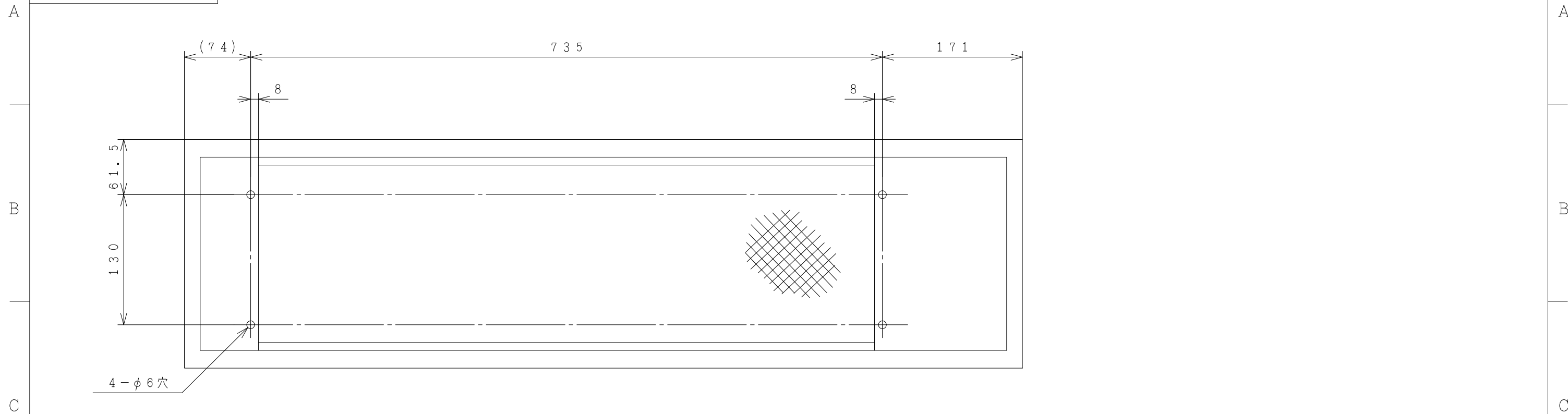


L887100NN



SIGNATURE		DATE	PROJECTION	SCALE	TITLE	CAD
DWN.	K. Yahagi	2019-01-25		NTS	吸込グリル (RAD-SG1)	
CHKD.	K. Kezuka	2019-01-25			寸法図	
APPD.	K. Kezuka	2019-01-25			Hitachi-Johnson Controls Air Conditioning, Inc.	TOCHIGI DWG. No. 3YAA NN0012887

