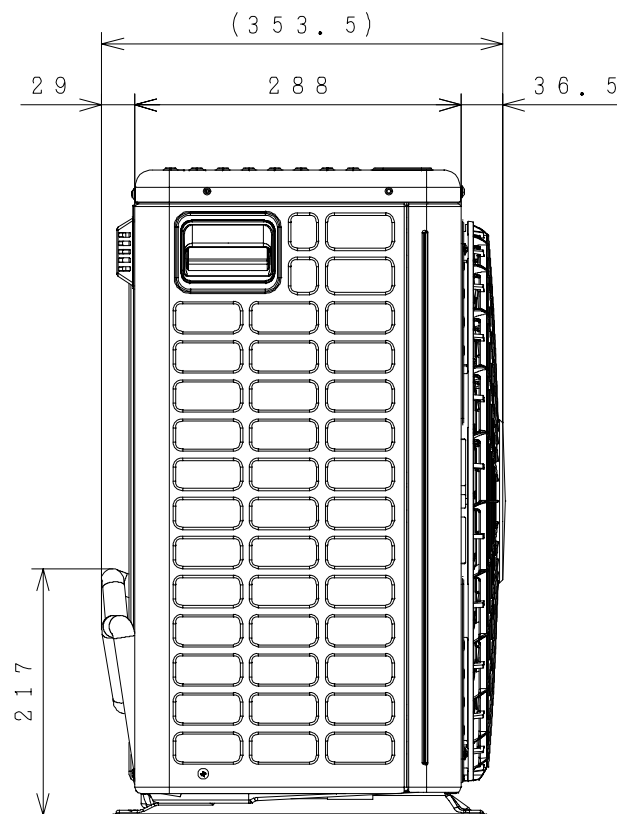
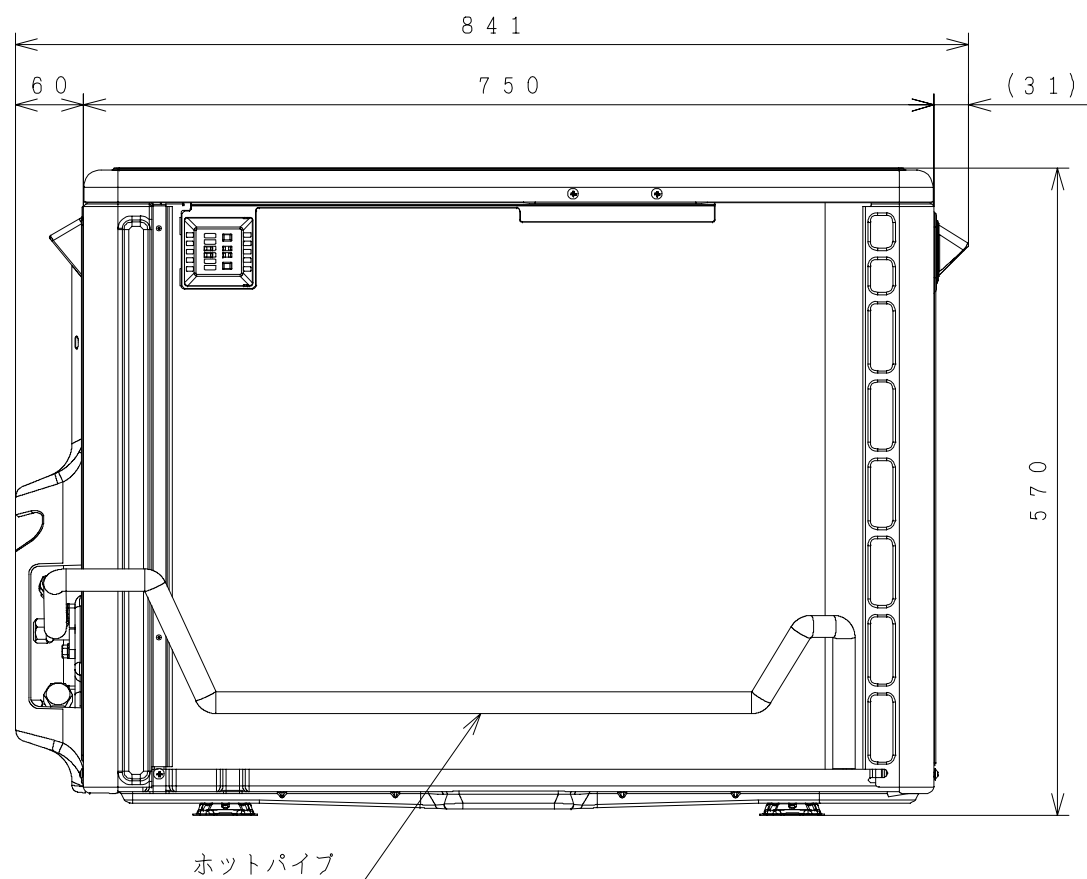
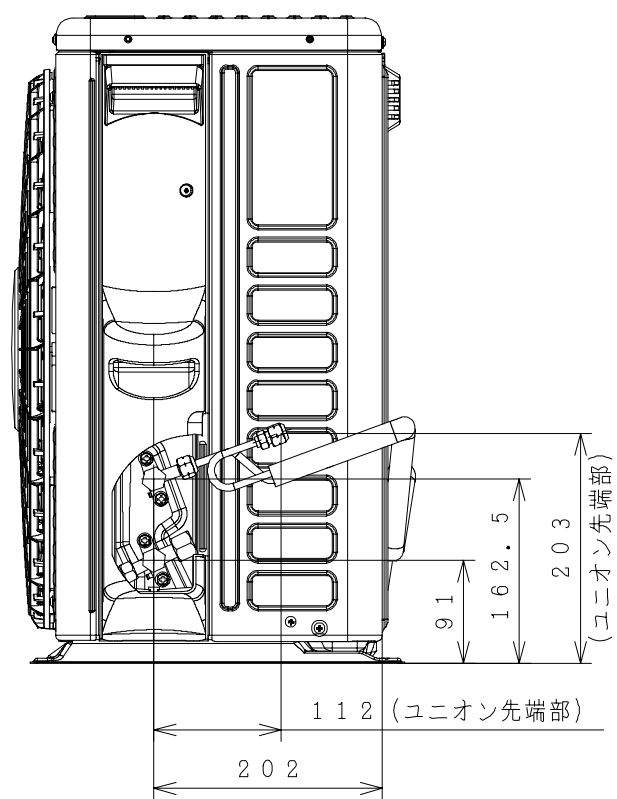
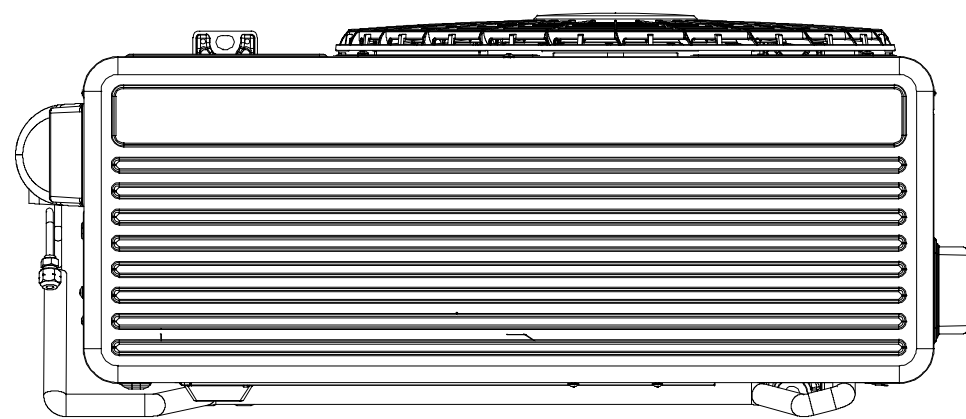


BB0041010



SIGNATURE		DATE	PROJECTION	SCALE	TITLE	CAD	
DWN.	K. Yokoyama	2013-10-03		NTS	RAC-S28C 500構造:寸法図		REGD. REGD 2013 1007
CHKD.	M. Awano	2013-10-05			Hitachi Appliances, Inc.	TOCHIGI DWG. No.	
APPD.	Y. Notoya	2013-10-07			Tokyo Japan	3YAA BB0041010	

1

2

3

0

4

5

100

6

7

001